

Ceraplan Washbasin Mixer 1 Hole Single Lever, Topfix, Pop-up Waste CLICK

Illustrated

B7886 Ceraplan single lever one hole basin mixer with pop-up waste

Configuration options

Material

Chrome Plated Metal

Weights

B7886 2.34KG

Colours

Chromium plated (AA)

Flow rates

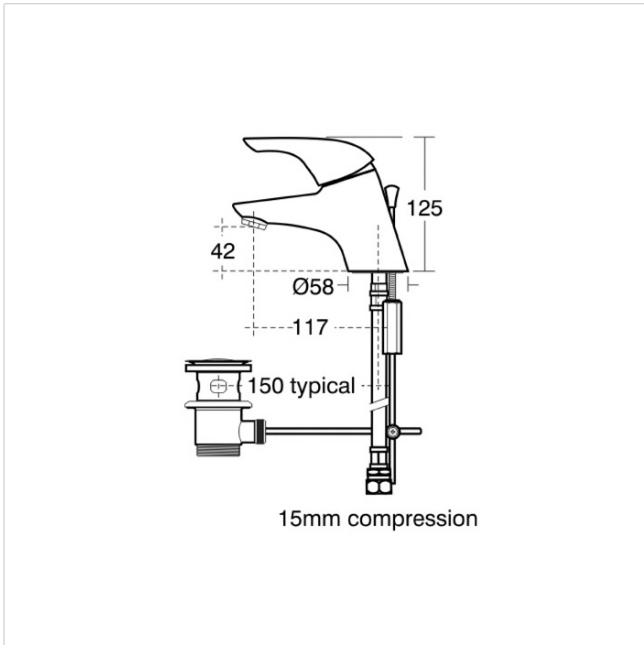
5 Litres per minute @ 3 bar pressure

Special Notes

Suitable for balanced supplies. Inlets with flexible hoses with connections for 15mm copper pipes. Consideration should be given to safe hot water delivery and the use of an appropriate temperature reduction device

Designer

Fabian Industrie Design



Frequently used applications

Residential

Features

Water Saving

Accreditations

WRAS



Tel: 0870 122 8822
Fax: 0870 122 8282
Email: info@idealspec.co.uk
Web: www.idealspec.co.uk

Ideal Standard (UK) Ltd. makes every effort to ensure that the information provided on its website is accurate. However, we cannot guarantee this, and accept no liability for any information or advice given via its website.



Date created:26/07/2013