

# FLUIDMASTER PRO45B BOTTOM INLET VALVE INSTALLATION INSTRUCTIONS FOR TOILET CISTERN

TO GET THE BEST RESULTS FROM YOUR FLUIDMASTER VALVE, PLEASE READ THESE INSTRUCTIONS CAREFULLY.

THE VALVE SHALL BE INSTALLED WITH THE WATER LEVEL SET BELOW THE LOWEST PART OF THE INLET OR IN COMPLIANCE WITH THE WATER SUPPLY (WATER FITTINGS) REGULATIONS 1999 AS A TYPE AG OR AC AIR GAP.

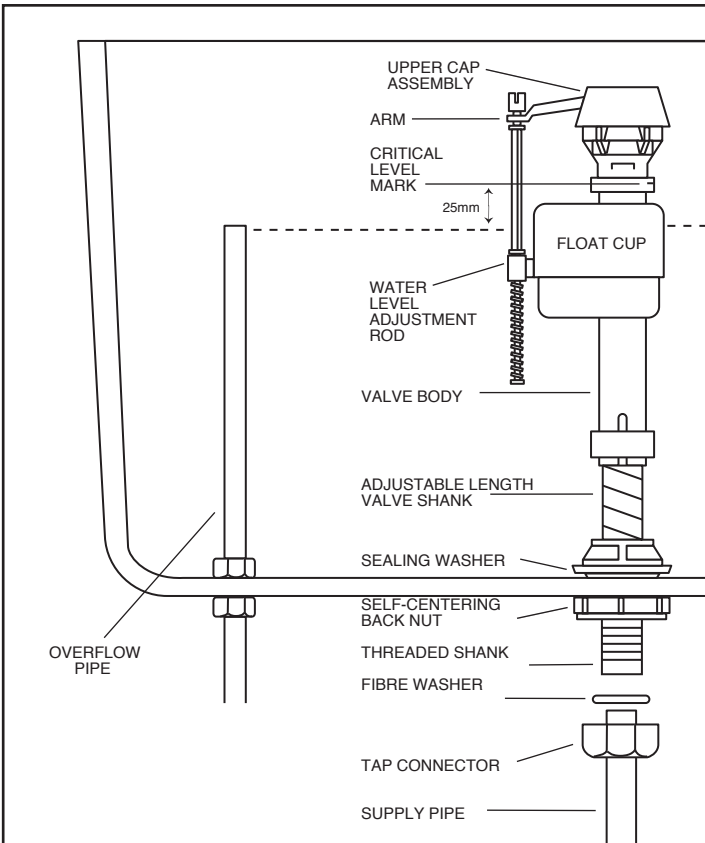
NOTE: SAVE INSTRUCTION SHEET FOR REFERENCE CONCERNING THIS VALVE'S OPERATION AND MAINTENANCE.

**IMPORTANT: DO NOT use plumber's putty to seal this fitting**

For more information in the U.K contact:

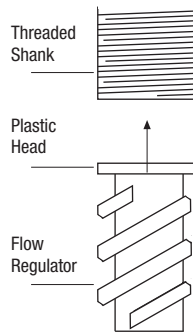
Fluidmaster UK  
One Harbour Road  
Portishead, Bristol BS20 7BL  
Tel: 01275 84 88 43  
FAX: 01275 81 74 37

E-mail: sales@fluidmasterUK.com  
Web: www.fluidmasterUK.com



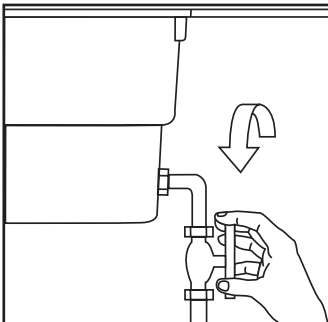
## VALVE FLOW REGULATOR INSTALLATION INSTRUCTIONS

In areas of high water pressure elements of noise, such as water hammer can be experienced. To minimise this please fit the flow regulator supplied with the valve.

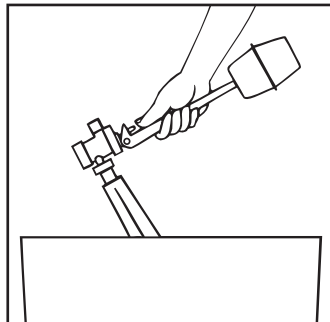


Insert flow regulator into threaded shank

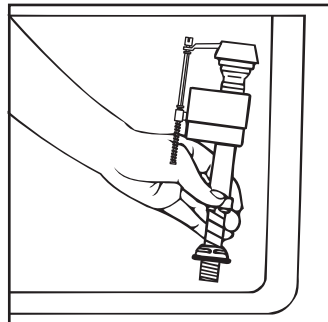
The regulator must be fully inserted to function properly



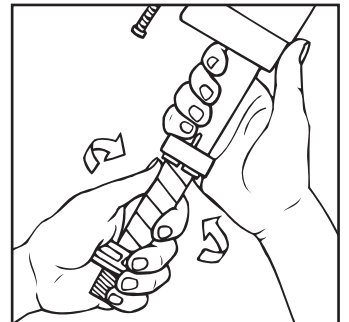
1. Turn off water supply to toilet cistern at storage tank in loft or isolator valve if mains fed.



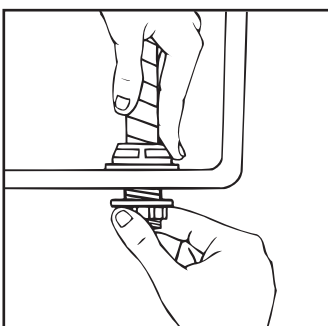
2. Disconnect pipe work and remove old valve from toilet cistern.



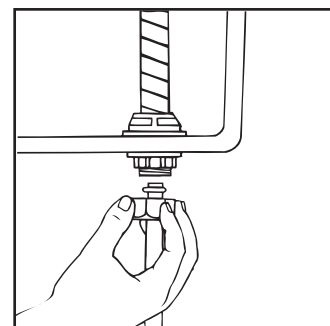
3. Place sealing washer on threaded shank of valve (cone facing down). Position valve in toilet cistern, passing threaded shank through hole in cistern to determine if valve height needs adjusting.



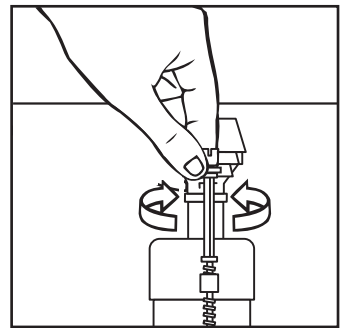
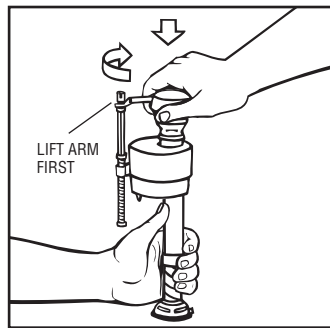
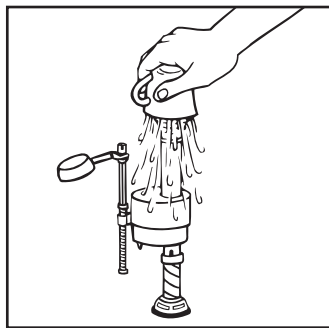
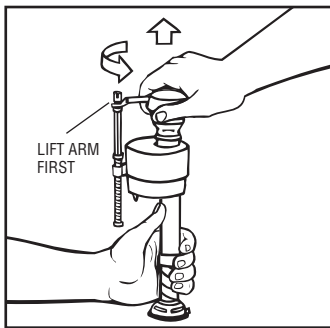
4. The Fluidmaster 400UK valve is adjustable in height from 225mm (9 inches) to 350mm (14 inches). To adjust height of valve, remove from toilet cistern and twist threaded shank in or out of valve body. A clicking noise will be heard on some models. This is normal. The valve height should be adjusted so that the critical level mark on the valve body is located at least 25mm (1 inch) above the overflow pipe in the cistern.



5. Install valve inside cistern. Start to thread back nut onto threaded shank so the shank protrudes through the cistern enough to enable tap connector to fit neatly. Do not tighten back nut at this stage.



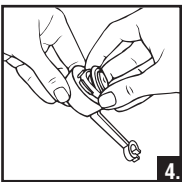
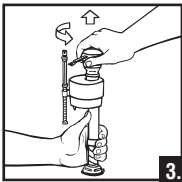
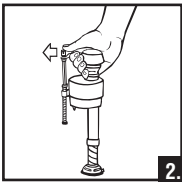
6. When position is correct and before tightening back nut, reconnect water supply to valve to make sure fibre washer is sealed correctly. Hand tighten tap connector (DO NOT OVERTIGHTEN). Now hand tighten back nut (DO NOT OVERTIGHTEN). Turn on main water supply.



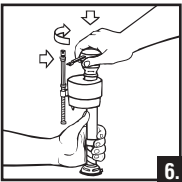
**7. IMPORTANT: ALWAYS CLEAR DEBRIS FROM WATER LINE TO COMPLETE INSTALLATION.** Shut off water supply to cistern. Remove VALVE TOP by lifting arm and rotating TOP 1/8 turn anti-clockwise, pressing down slightly on cap. While holding a container over the uncapped VALVE to prevent splashing, turn water supply on and off to clear debris that may be in supply line. Turn off water supply and replace TOP by engaging lugs and rotating 1/8 turn clockwise. **MAKE CERTAIN TOP IS TURNED TO THE LOCKED POSITION. VALVE MAY NOT TURN ON IF TOP IS NOT FULLY TO THE LOCKED POSITION.** Turn on water supply.

**8.** Submerge the float cup under the water for 30 seconds. Adjust the water to the desired level by turning the water level adjustment rod and moving float cup up or down. Water level should be set to water line on cistern.

**TROUBLESHOOTING – SEAL REPLACEMENT:** If valve won't turn on or shut off or refill of cistern water is slow after valve has been in use for some time, a replacement seal may be needed. Ask your dealer for Model 242MP071 and install as follows:



1. Turn off water supply as in Figure 1 of instructions.
2. Remove water level adjustment rod from upper cap assembly as shown.
3. Remove upper cap assembly by lifting arm and rotating 1/8 anti-clockwise, pressing down slightly on cap.
4. Replace seal.
5. Hold a cup over the uncapped valve (to prevent splashing), and turn water supply on and off to clear debris in supply.
6. Refit upper cap assembly. Make sure upper assembly is fully turned clockwise to the locked position or valve will not turn on. Reattach water level adjustment rod to upper cap assembly by snapping back in place.
7. Turn on water supply as before.



**GUARANTEE:** This Fluidmaster product is guaranteed to be free from defective materials and workmanship for a period of one year. Units returned to Fluidmaster, USA, or CMI Distribution, UK will be replaced without charge.

Always use quality Fluidmaster repair parts when maintaining your Fluidmaster products. Fluidmaster shall not be responsible or liable for any damages caused by products used in Fluidmaster valves that were not manufactured by Fluidmaster, Inc.

**MADE IN U.S.A. PATENT NUMBERS**  
 U.S.-244693, 245172, 3428966, 3429333, 3495803, 3669138, 4080986, 4100928, 4327941, 4416302; AUSTRALIA-421225, 423785, 427099, 433341, 489821, 587088; BELGIUM-699955, 769268; BRAZIL-991353; CANADA-834406, 834517, 842557, 842558, 842559, 842560, 849302, 857002, 925398, 1046892, 1065731, 1065732, 1065733, 1065734, 1130509; COLOMBIA-19919; GERMANY-2132631; GREAT BRITAIN-1298646, 1528291; HONG KONG-857; ITALY-807405, 935451; JAPAN-810259, 1039296, 1108738, 543961, 578536; MEXICO-129183, 1444000, 145652; NETHERLANDS-141630, 144013, 162449; SINGAPORE-270-1973; SOUTH AFRICA-72-8273, 72-8734; SPAIN-342777, 393324; SWEDEN-346348, 372584; SWITZERLAND-545389, 612471; TAIWAN-6937, 7168, 10051, 10077, UM-41880. Other U.S. and Foreign patents pending.